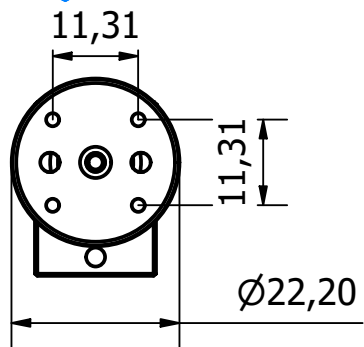
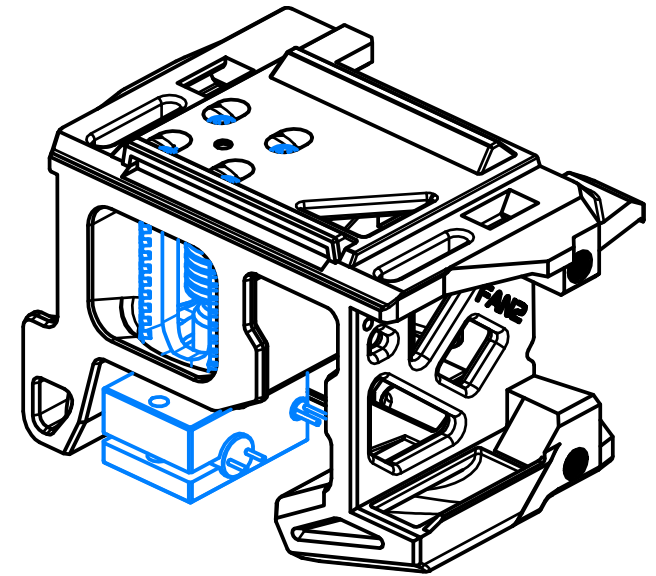
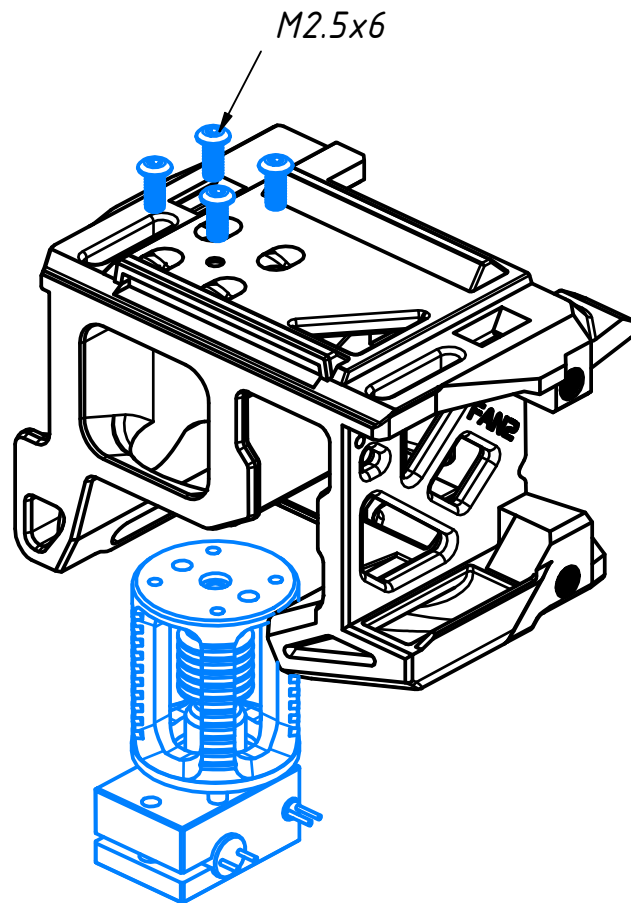
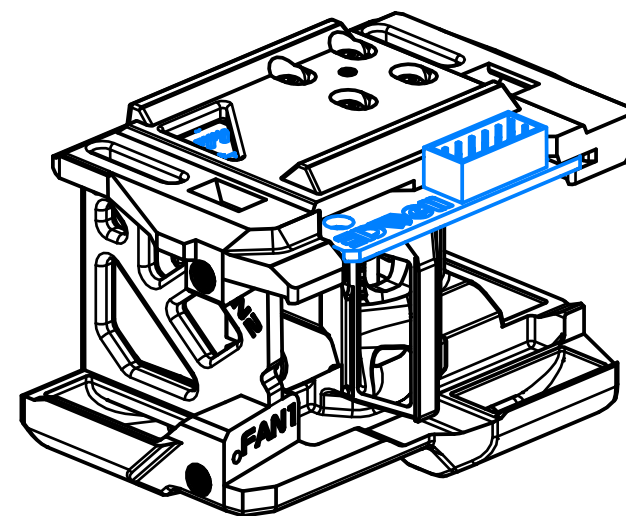
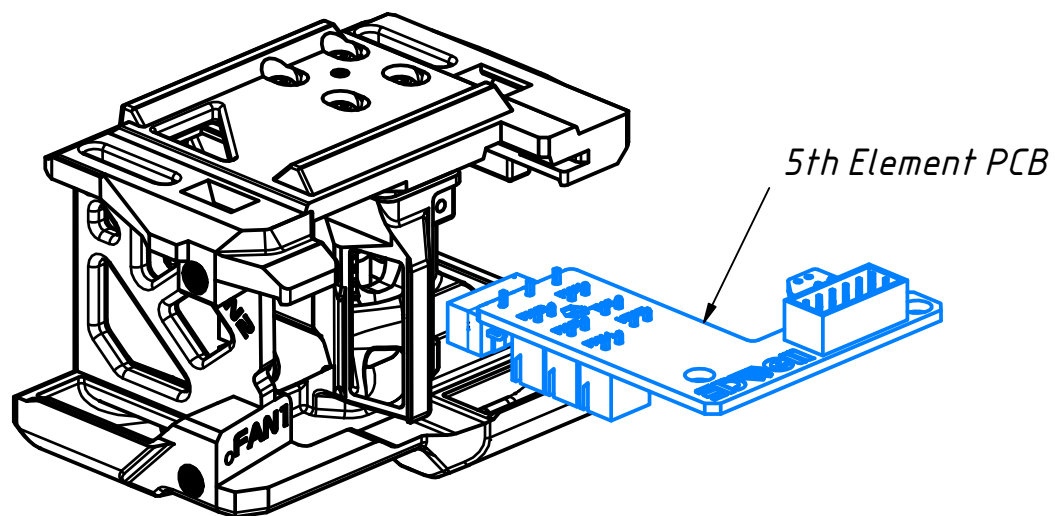
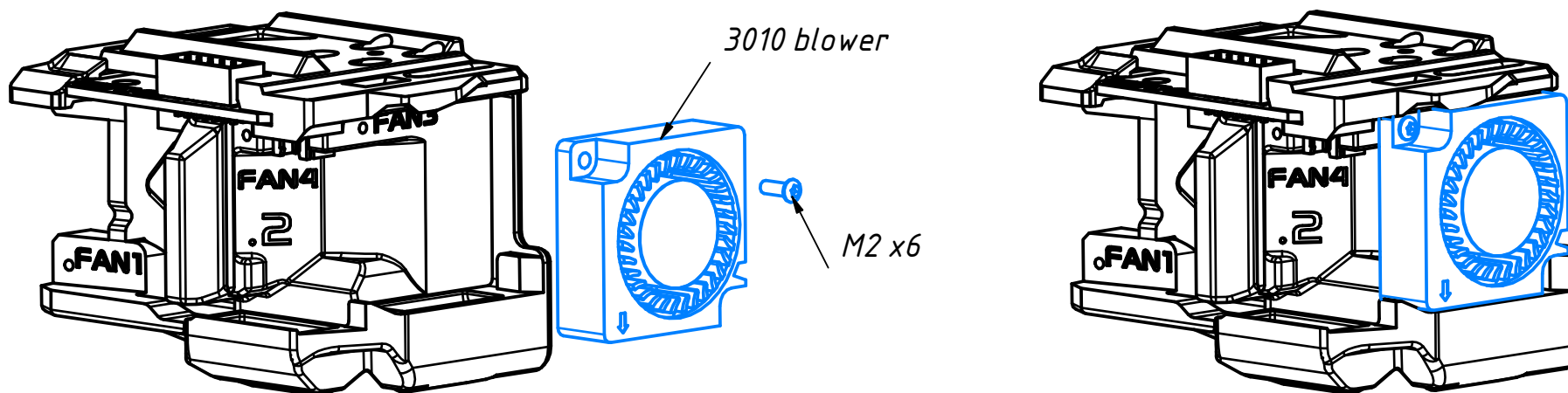


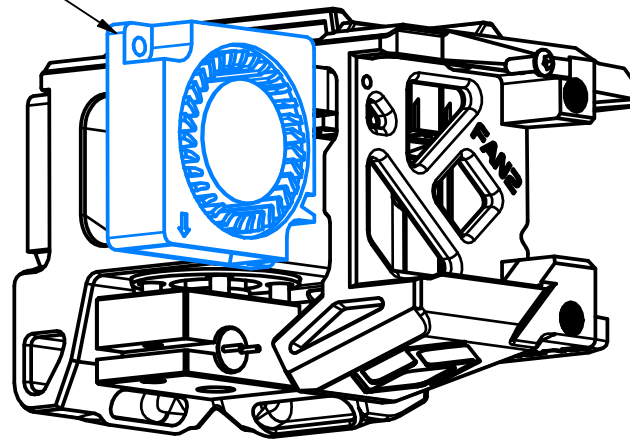
Assembly manual



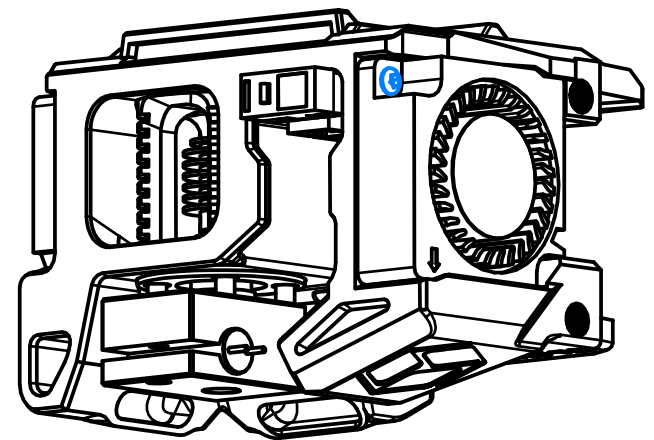
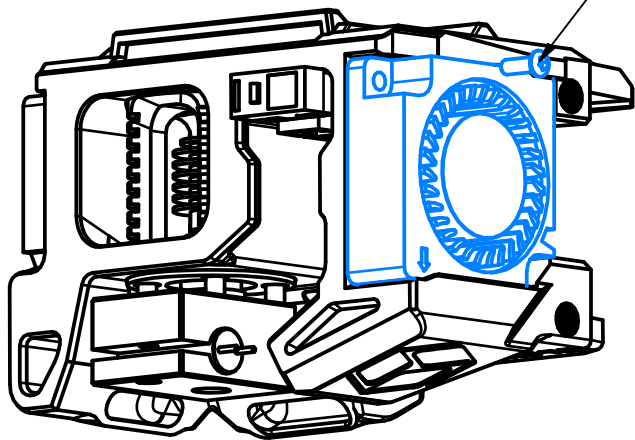


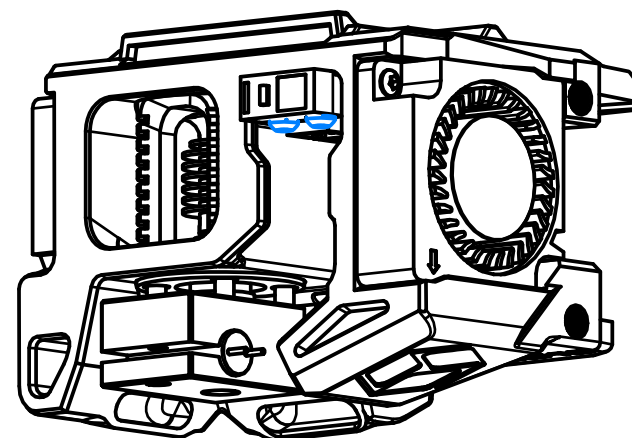
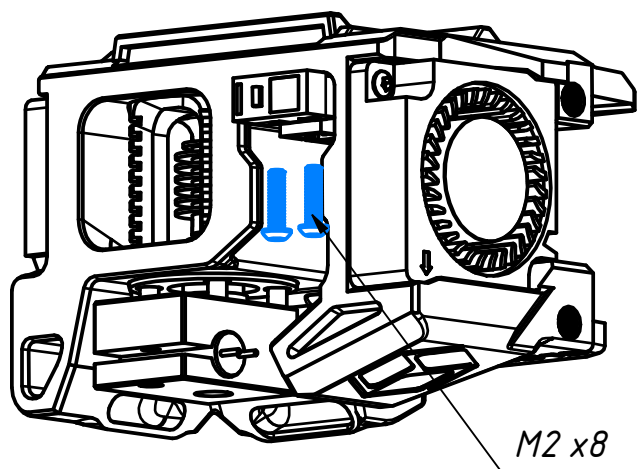


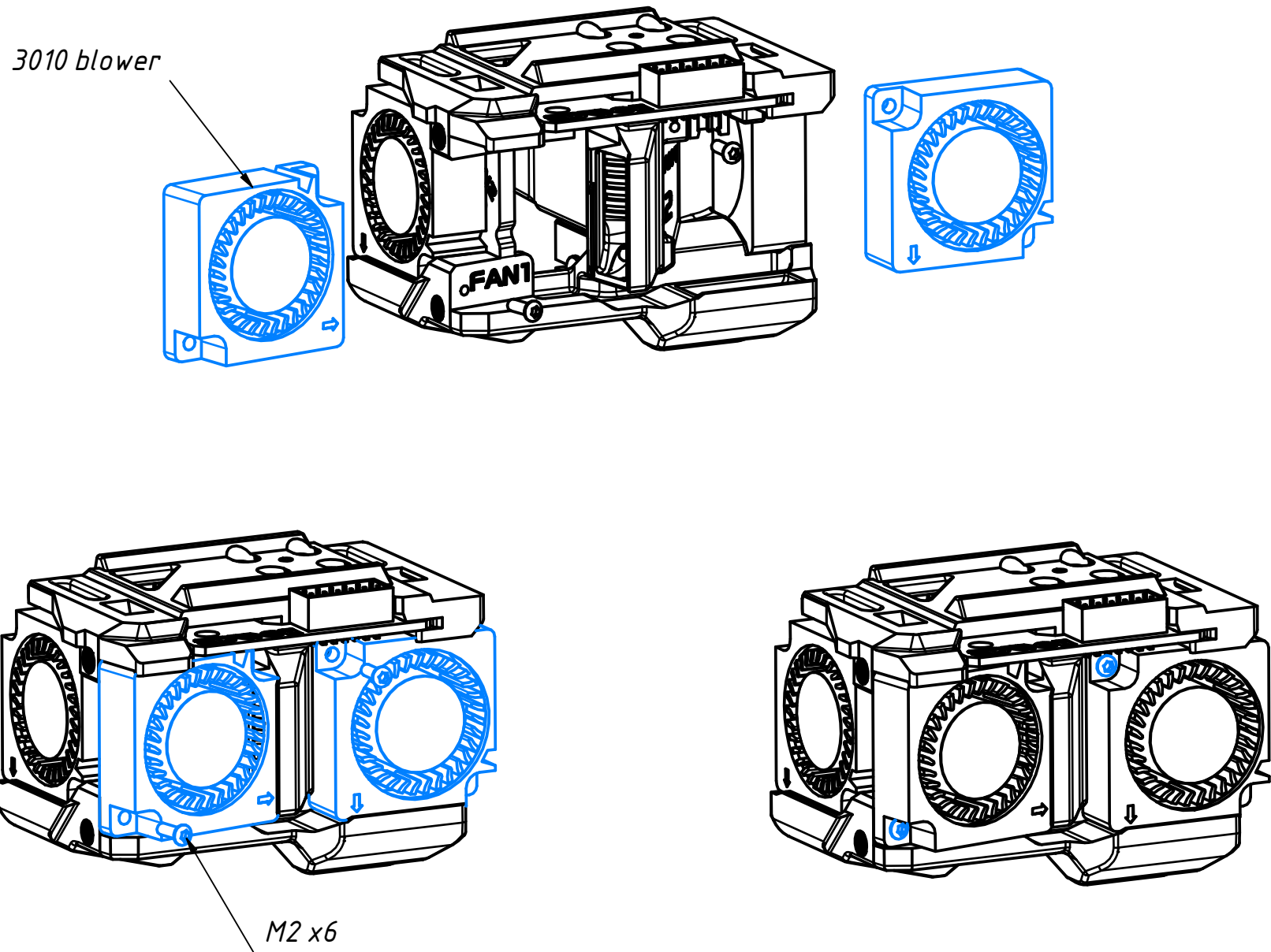
3010 blower

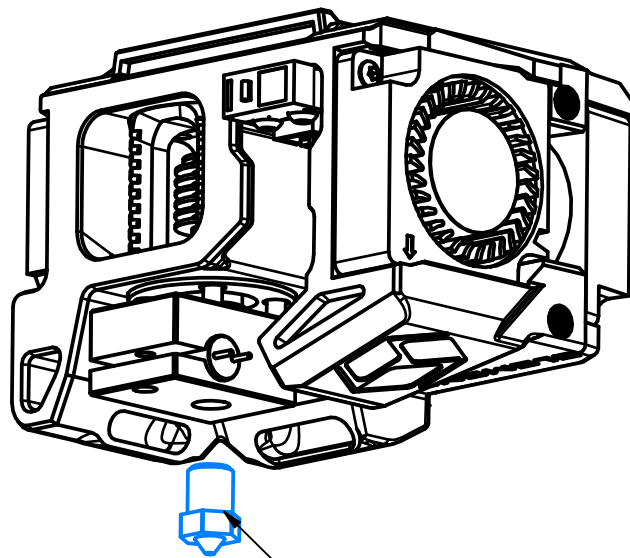


M2 x6









V6 Nozzle

Screw the nozzle on a heated hotend

